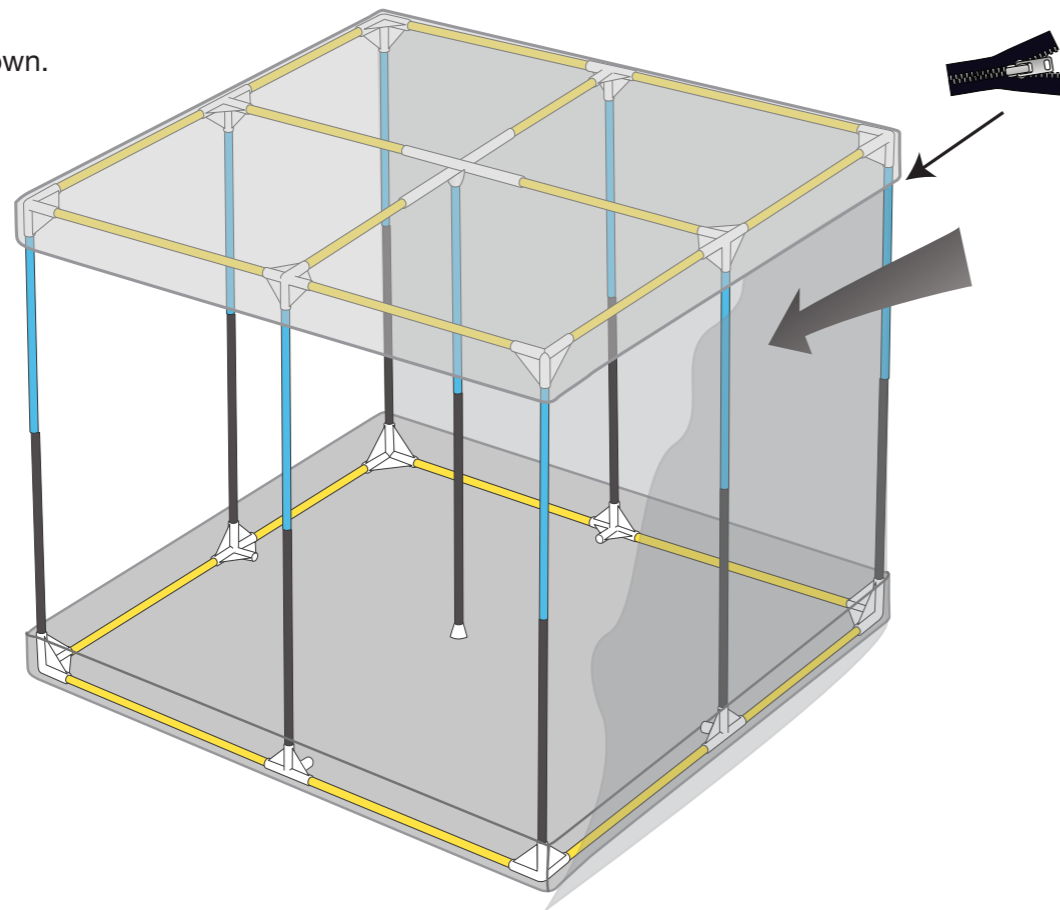


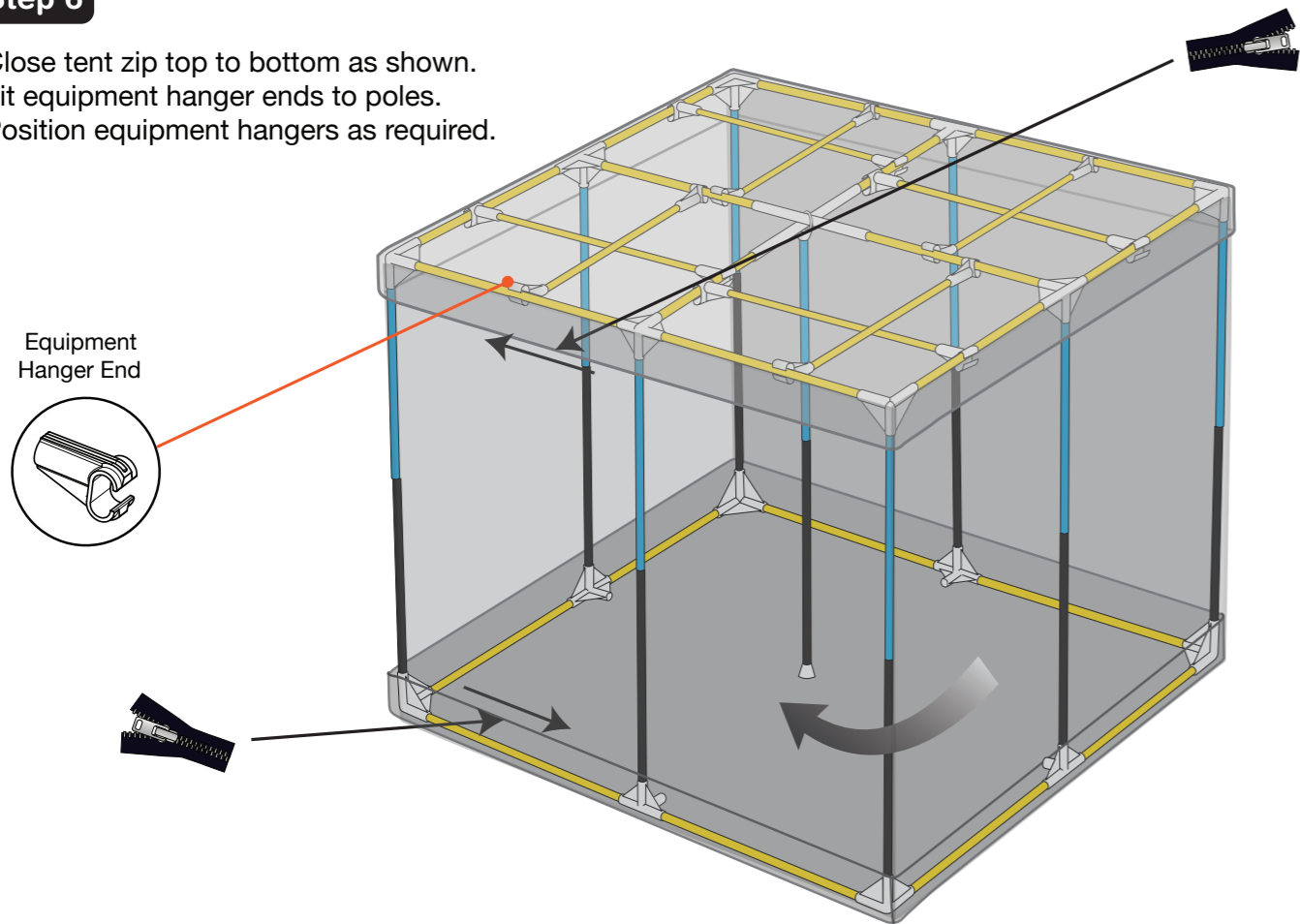
**Step 5**

Close tent zip starting top right as shown.



**Step 6**

Close tent zip top to bottom as shown. Fit equipment hanger ends to poles. Position equipment hangers as required.



**Assembly Instructions**

Two Person Assembly

mammothtents.nl  
**Pro+ 240HC 300HC**

# Mammoth Pro+ 240HC, 300HC Assembly Guide

Equipment Hangers

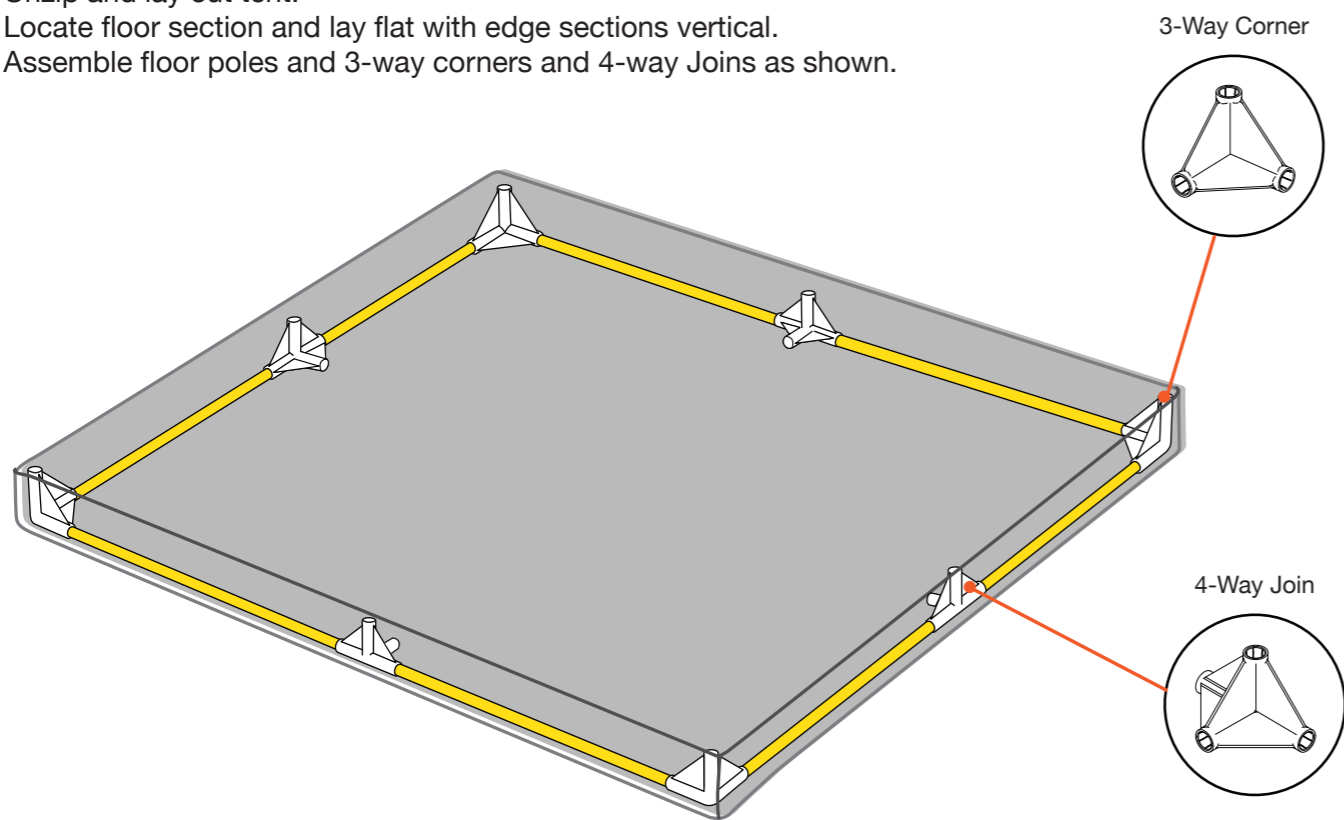


**Parts List**

- Yellow Pole x28
- Blue Pole x9
- Black Pole x9
- 3-Way Corner x8
- 4-Way Join x8
- Equipment Hanger Ends x16
- Support Pole Rubber Foot x1
- Support Pole Rubber Top x1
- Straight Pole Connectors x2
- Centre Securing Ring x1

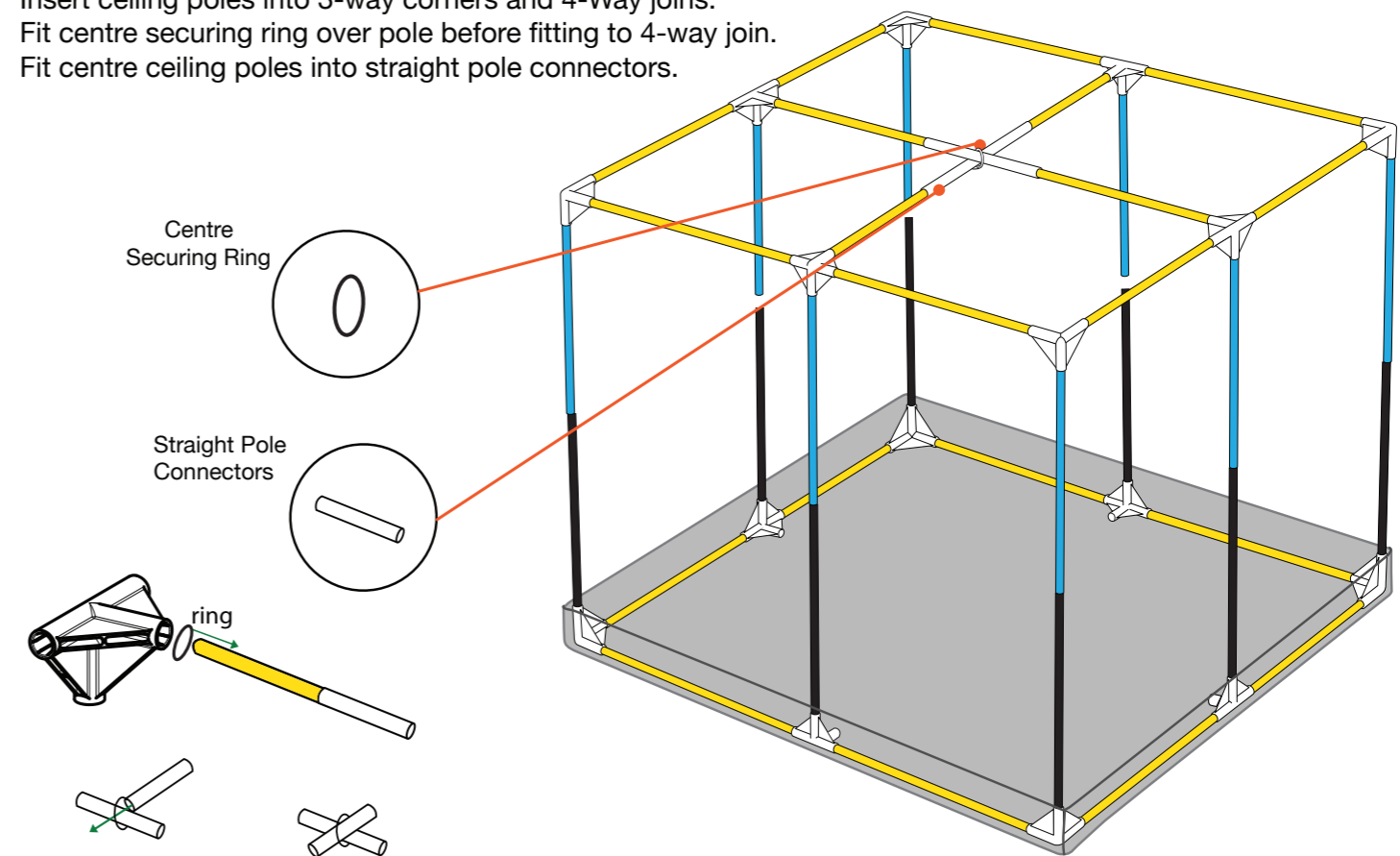
### Step 1

Organise poles and connectors into their colours and groups.  
Unzip and lay out tent.  
Locate floor section and lay flat with edge sections vertical.  
Assemble floor poles and 3-way corners and 4-way Joins as shown.



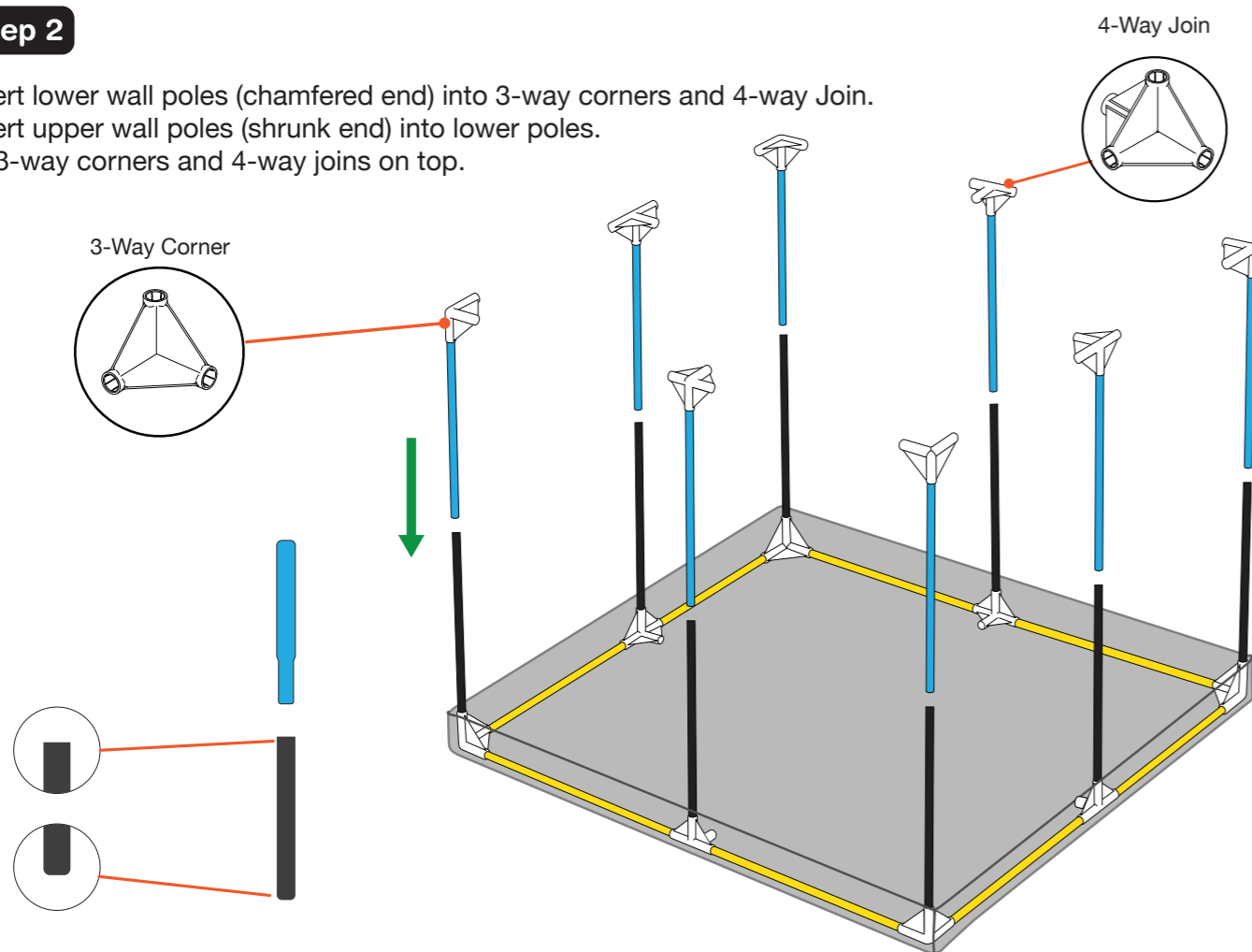
### Step 3

Insert ceiling poles into 3-way corners and 4-Way joins.  
Fit centre securing ring over pole before fitting to 4-way join.  
Fit centre ceiling poles into straight pole connectors.



### Step 2

Insert lower wall poles (chamfered end) into 3-way corners and 4-way Join.  
Insert upper wall poles (shrunk end) into lower poles.  
Fit 3-way corners and 4-way joins on top.



### Step 4

Fit support pole.  
Lift tent over roof as shown.

